



(12) **United States Design Patent**
Brinkmeyer et al.

(10) **Patent No.:** **US D1,029,171 S**
(45) **Date of Patent:** **** May 28, 2024**

(54) **FIREARM GRIP**
(71) Applicant: **Springfield, Inc.**, Geneseo, IL (US)
(72) Inventors: **Nathan A. Brinkmeyer**, Le Claire, IA (US); **Stephen H. McKelvain**, Geneseo, IL (US); **Peter J. Leach**, Davenport, IA (US)

D732,629 S 6/2015 Wolf
D758,519 S 6/2016 Toner et al.
D777,871 S 1/2017 Niswander

(Continued)

FOREIGN PATENT DOCUMENTS

WO WO 1995/21366 8/1995

OTHER PUBLICATIONS

“Springfield Armory Goes 2011 With New Prodigy Double Stack 1911S” [online]. Chris Eger. [Published Sep. 1, 2022]. Retrieved from the Internet: <https://www.guns.com/news/2022/09/01/springfield-armory-goes-2011-with-new-prodigy-double-stack-1911s>.*

(Continued)

Primary Examiner — Mojtaba Tehrani
(74) *Attorney, Agent, or Firm* — Woodard, Emhardt, Henry, Reeves & Wagner, LLP

(57) **CLAIM**

The ornamental design for firearm grip, as shown and described.

DESCRIPTION

FIG. 1 is a right, front, perspective view of the firearm grip showing our new design;
FIG. 2 is a right, rear, perspective view thereof;
FIG. 3 is a right side view thereof;
FIG. 4 is a left side view thereof;
FIG. 5 is a top view thereof;
FIG. 6 is a bottom view thereof;
FIG. 7 is a front view thereof; and,
FIG. 8 is a rear view thereof.

The evenly broken lines in the drawings disclose unclaimed portions of the firearm grip only and form no part of the claimed design; the dash-dot broken lines represent indeterminate length and form no part of the claimed design. The appearance of any portion of the firearm grip between the dash-dot broken lines from no part of the claimed design.

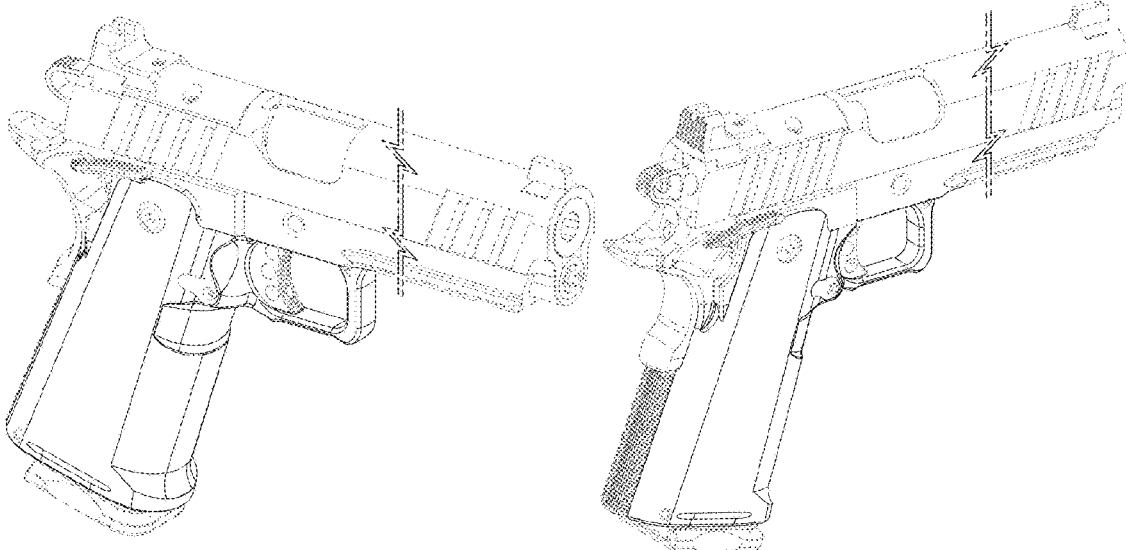
1 Claim, 6 Drawing Sheets

(73) Assignee: **Springfield, Inc.**, Geneseo, IL (US)
(**) Term: **15 Years**
(21) Appl. No.: **29/851,452**
(22) Filed: **Aug. 29, 2022**
(51) **LOC (14) Cl.** **22-01**
(52) **U.S. Cl.**
USPC **D22/104**; D22/108
(58) **Field of Classification Search**
USPC D22/100, 103, 104, 105, 108, 199;
D21/567, 570, 573, 574, 575
CPC .. F41A 3/66; F41A 11/00; F41C 23/10; F41C
3/00; F41C 7/00
See application file for complete search history.

(56) **References Cited**

U.S. PATENT DOCUMENTS

D293,357 S *	12/1987	Ruger	D22/108
D345,002 S *	3/1994	Strayer	D22/104
5,293,708 A	3/1994	Strayer et al.		
D347,256 S *	5/1994	Strayer	D22/108
D366,514 S *	1/1996	Hochstrate	F41C 23/10
				D22/104
D374,903 S *	10/1996	Pearce	D22/104
D387,841 S *	12/1997	Hochstrate	D22/100
D430,916 S *	9/2000	Bubits	D22/100
D505,475 S *	5/2005	Salva	D22/104
D671,610 S *	11/2012	Nebeker	D22/104
D688,764 S *	8/2013	Yigit	D22/104
D716,898 S *	11/2014	Rothmann	D22/104



(56)

References Cited

U.S. PATENT DOCUMENTS

D784,479	S	4/2017	Niswander	
D794,739	S *	8/2017	Kedairy	D22/104
D800,243	S	10/2017	Niswander	
D823,969	S	7/2018	Beville et al.	
D824,478	S	7/2018	Shelton et al.	
D849,174	S	5/2019	Beville et al.	
D855,733	S *	8/2019	Wilson	D22/108
D857,142	S	8/2019	Beville et al.	
D861,821	S *	10/2019	Shelton	D22/108
D865,106	S	10/2019	Oglesby	
11,624,571	B1 *	4/2023	Kim	F41A 3/66 42/16
D994,821	S *	8/2023	Spine et al.	D22/104
2013/0125441	A1 *	5/2013	Westwood	F41A 17/28 42/70.11
2021/0116193	A1 *	4/2021	Tai	F41A 3/66
2021/0131764	A1 *	5/2021	Padovan	F41C 3/00
2023/0272988	A1 *	8/2023	Curry	F41C 23/16 42/69.03

OTHER PUBLICATIONS

“TFB Review: Staccato Tactical DS H.O.S.T 4.0—Long Term Review” [online]. Matt E. [Published Mar. 10, 2021]. Retrieved from the Internet: <<https://www.thefirearmblog.com/blog/2021/03/10/tfb-review-staccato-tactical-ds-h-o-s-t-4-0-long-term-review/>>.*

“Dan Wesson 1911 meets CZ in a new pistol named DWX” [online]. Eric B. [Published Oct. 25, 2019]. Retrieved from the Internet: <<https://www.thefirearmblog.com/blog/2019/10/25/dan-wesson-meets-cz-in-the-new-pistol-named-dwx/>>.*

“Double Stack 1911s. 5 Best for Any Budget [2022]” [online]. Tedder Admin. [Published Feb. 14, 2020]. Retrieved from the Internet: <<https://aliengearholsters.com/blog/double-stack-1911/>>.*

1911 Pistol Example 1, Retrieved May 5, 2020.

1911 Pistol Example 2, Retrieved May 5, 2020.

1911 Pistol Example 3, Retrieved May 5, 2020.

1911 Pistol Example 4, Retrieved May 5, 2020.

Ammoland Wilson-Combat Spec Ops 1911 Pistol, Retrieved May 25, 2021.

Cheely Custom Gunworks, E2 Commander Grip Kit, Retrieved Sep. 19, 2022.

Cheely Custom Gunworks, E2 Grip Kit, Retrieved Sep. 19, 2022.

Cheely Custom Gunworks, Grip Kits, Retrieved Sep. 19, 2022.

Cheely Custom Gunworks, L2 Commander Grip Kit, Retrieved Sep. 19, 2022.

Cheely Custom Gunworks, L2 Grip Kit, Retrieved Sep. 19, 2022. Defense Review, Recover Tactical RT CC3 1911 Grip and Rail Adapter for Tactical 1911 Pistol, Retrieved May 25, 2021.

Firearm Insider, Gun Gear Reviews, Pachmayr G10 Tactical Pistol Grips, Retrieved May 5, 2020.

Gastatic.com, Aluminum Grip. Retrieved May 5, 2020.

Government Commander, Aluminum Grenade Pattern Grip, Retrieved May 5, 2020.

GStatic Pistol Grip, Retrieved May 25, 2021.

GStatic Pistol Grip2, Retrieved May 25, 2021.

GStatic Pistol Grip3, Retrieved May 25, 2021.

GStatic Pistol Grip4, Retrieved May 25, 2021.

GStatic Pistol Grip5, Retrieved May 25, 2021.

GStatic Pistol Grip6, Retrieved May 25, 2021.

GStatic Pistol Grip7, Retrieved May 25, 2021.

GStatic Pistol Grip8, Retrieved May 25, 2021.

GStatic Pistol Grip9, Retrieved May 25, 2021.

GStatic Pistol Grips, Retrieved May 25, 2021.

Live Auctioneers, Laseraim, Retrieved May 25, 2021.

Nagels Guns, Browning 1911, Retrieved May 5, 2020.

Rainier Arms Pistol Grip, Retrieved May 5, 2020.

SGM Grips, Kimber Solo Grips, Retrieved May 5, 2020.

Staccato C2, Staccato Handguns, Retrieved Sep. 19, 2022.

Staccato P, Staccato Handguns, Retrieved Sep. 19, 2022.

Staccato XC, Staccato Handguns, Retrieved Sep. 19, 2022.

Staccato XL, Staccato Handguns, Retrieved Sep. 19, 2022.

Tactical-Life, VZ Frag + Ned Christiansen 1911 Grips, Retrieved May 5, 2020.

The Firearm Blog, Wilson Combat Spec-Ops 9, Retrieved May 5, 2020.

Eb Ed Brown Products, 1911 Handguns, retrieved from internet Nov. 28, 2023: <https://www.edbrown.com/1911-handguns/>.

Eb Ed Brown Products, Ed Brown Handguns, retrieved from internet Nov. 28, 2023: <https://www.edbrown.com/handguns/>.

Eb Ed Brown Products, Past Models, retrieved from internet Nov. 28, 2023: <https://www.edbrown.com/past-models/>.

Nighthawk Custom, 1911 Pistols, retrieved from internet Nov. 28, 2023: https://www.nighthawkcustom.com/pistols?product_list_limit=all.

Wilson Combat, 1911, retrieved from internet Nov. 28, 2023: <https://wilsoncombat.com/handguns/1911-handguns.html>.

Wilson Combat, Double Stack, retrieved from internet Nov. 28, 2023: <https://wilsoncombat.com/handguns/double-stack.html>.

Wilson Combat, Exporior, retrieved from internet Nov. 28, 2023: <https://wilsoncombat.com/handguns/double-stack/exporior.html>.

* cited by examiner

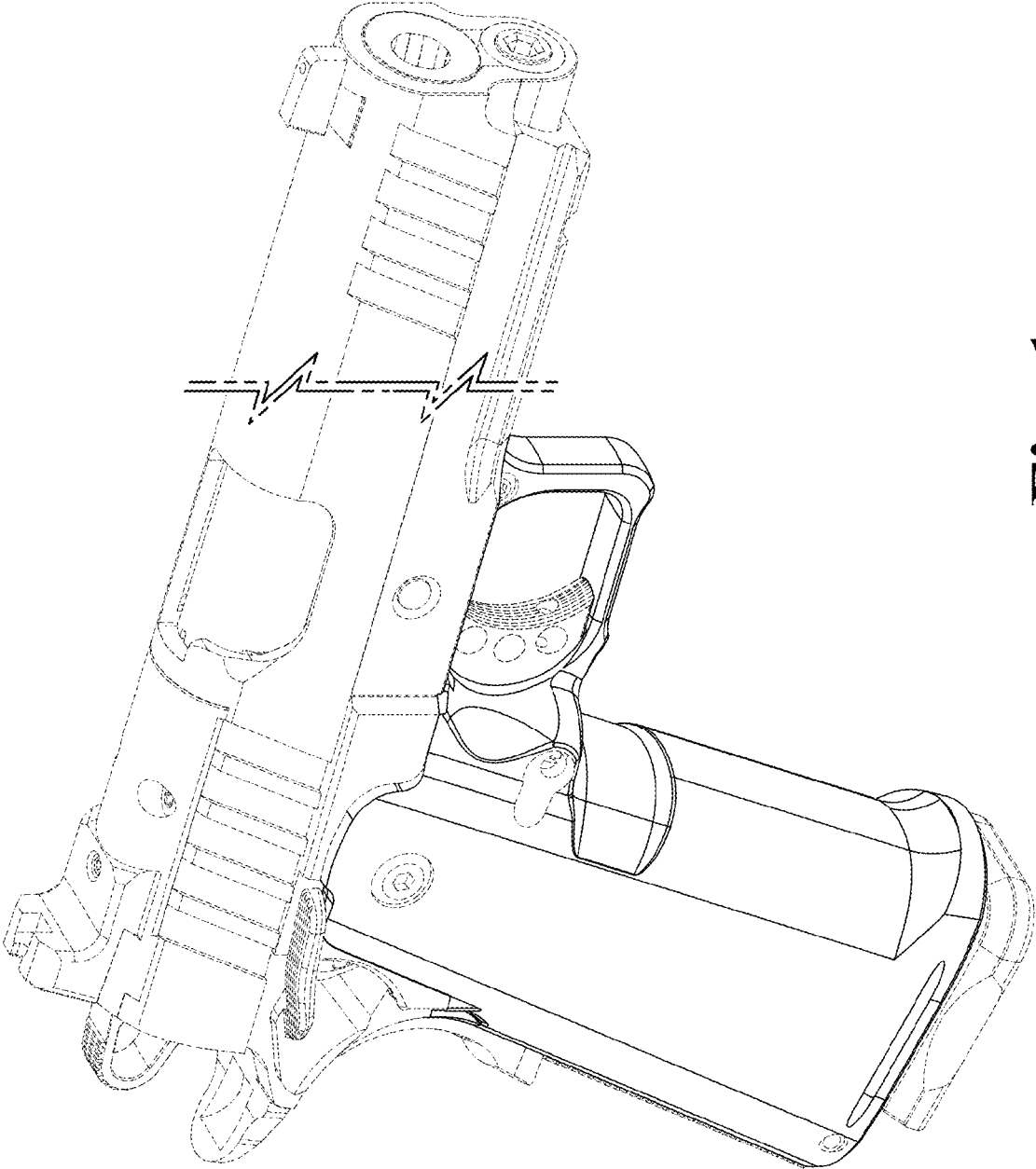


Fig. 1

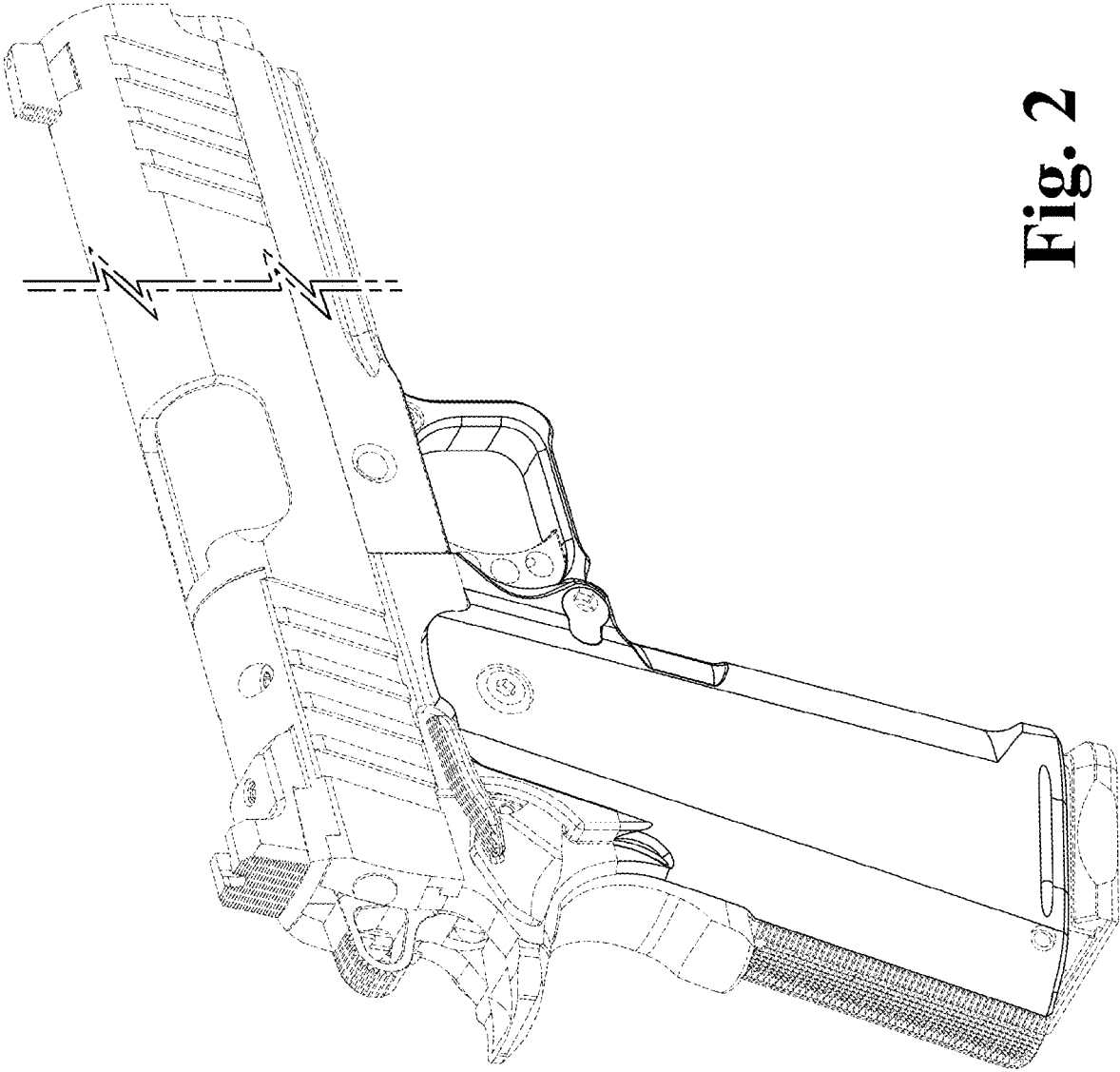


Fig. 2

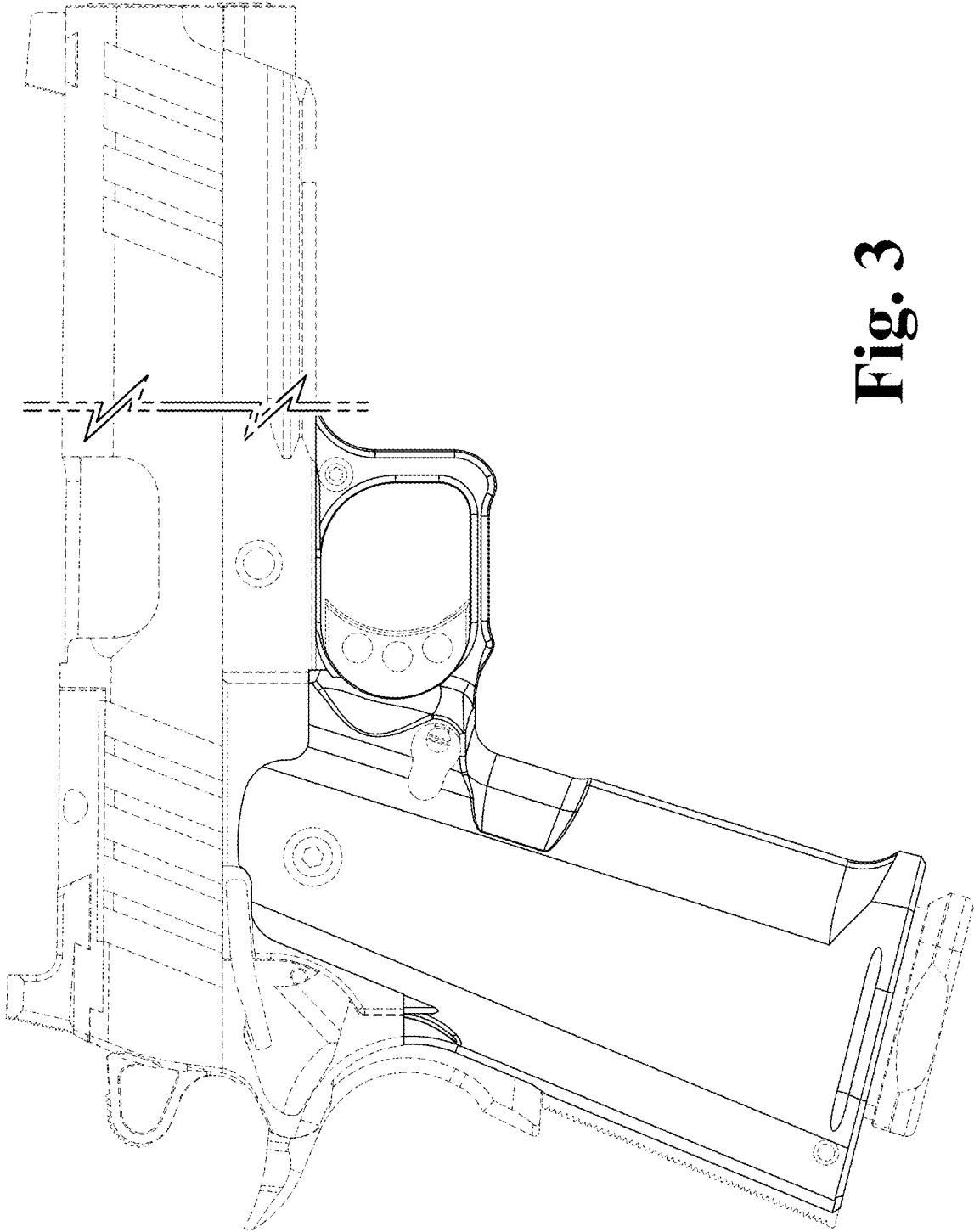


Fig. 3

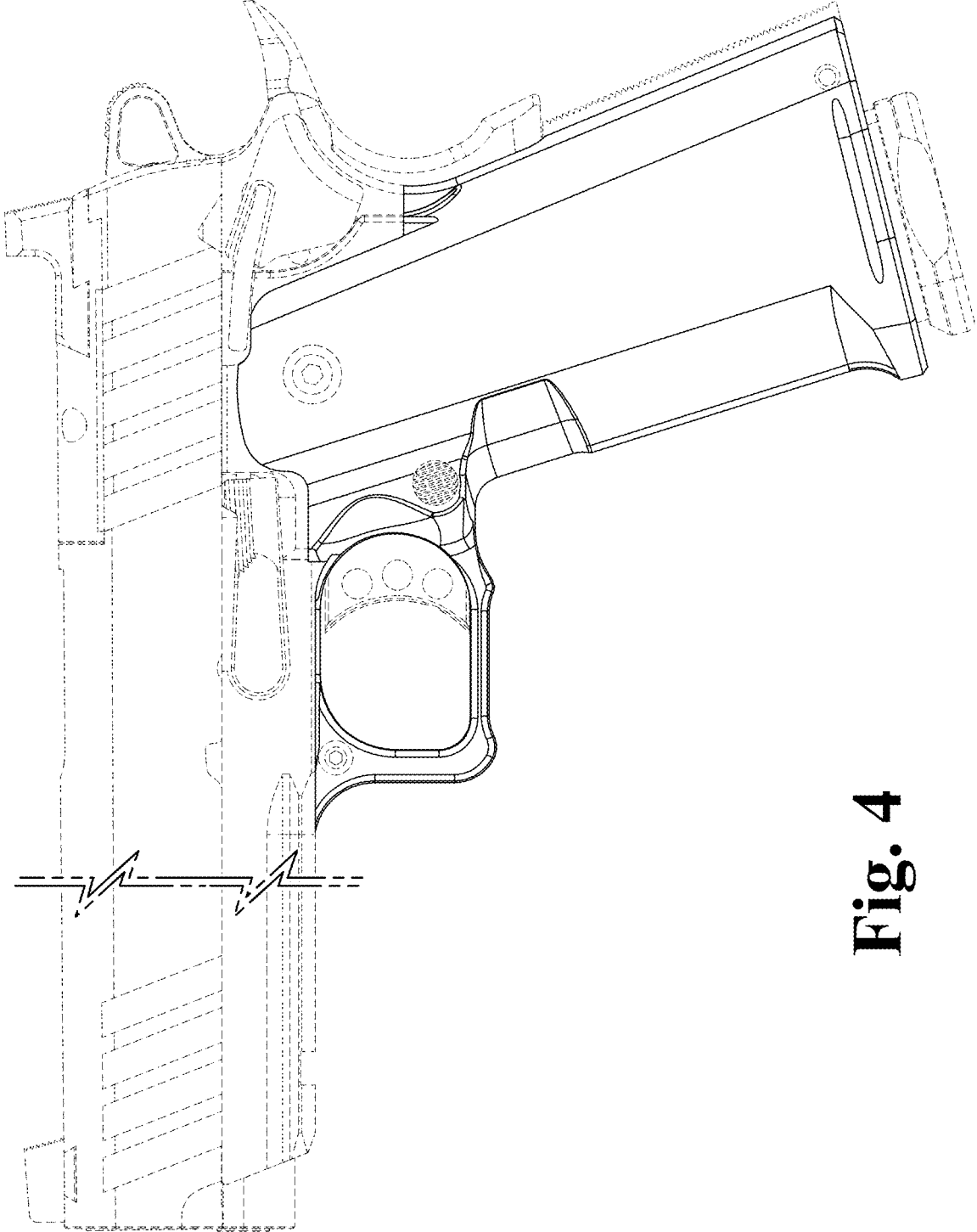


Fig. 4

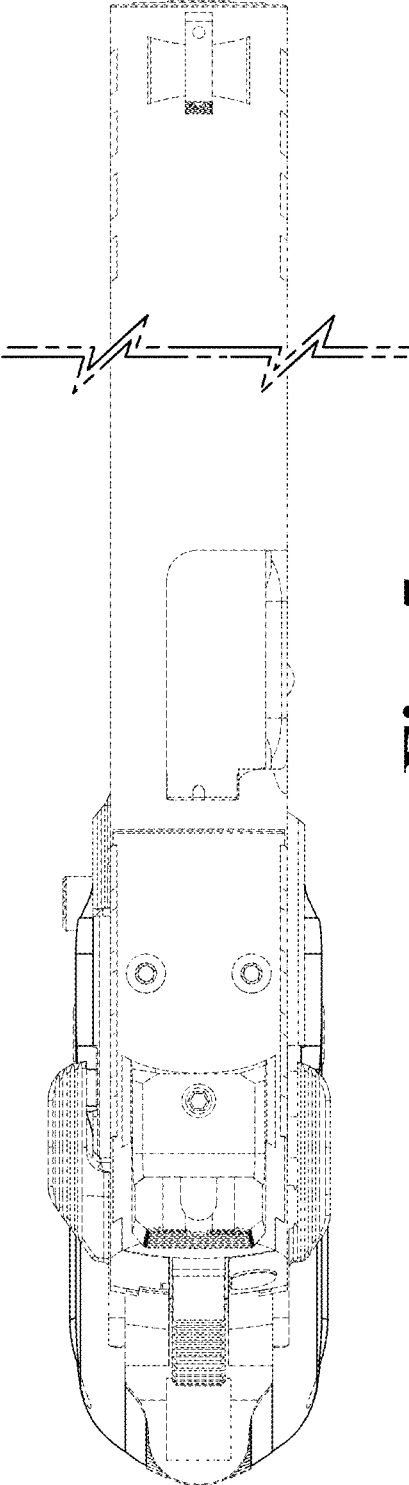


Fig. 5

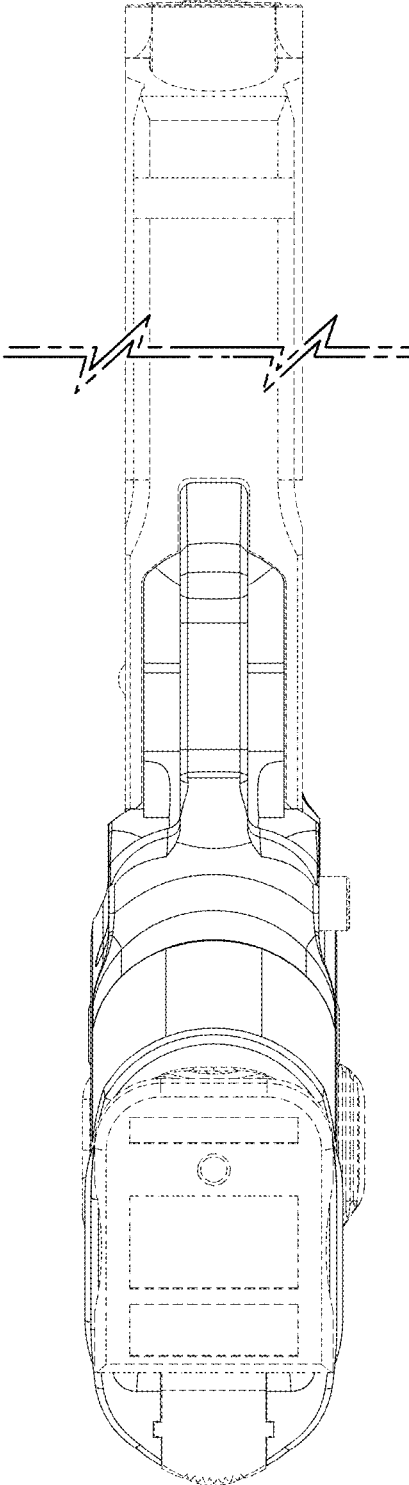


Fig. 6

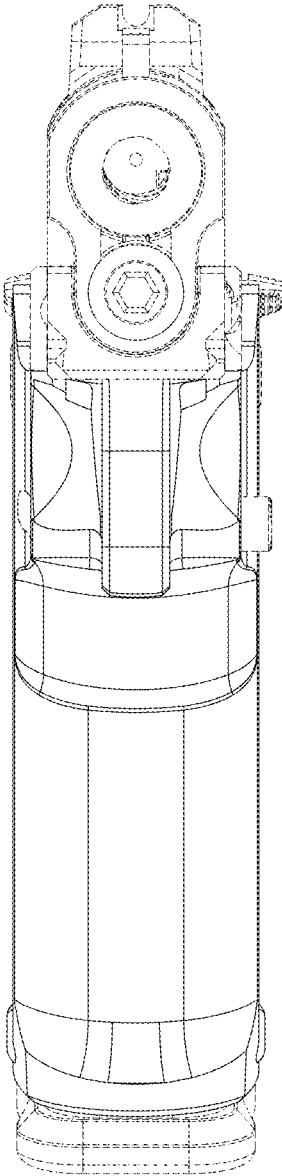


Fig. 7

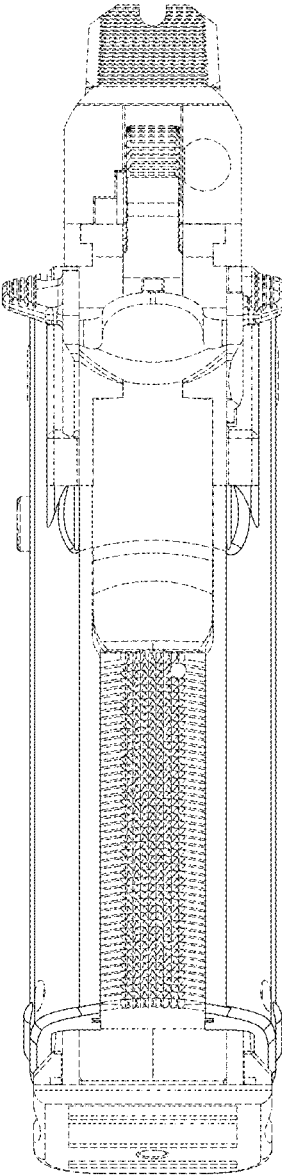


Fig. 8