



US0D1024252S

(12) **United States Design Patent**  
**Baumbach et al.**

(10) **Patent No.:** **US D1,024,252 S**  
(45) **Date of Patent:** **\*\* \*Apr. 23, 2024**

- (54) **RIFLE**
- (71) Applicant: **Springfield, Inc.**, Geneseo, IL (US)
- (72) Inventors: **Christopher Martin Baumbach**,  
LeClaire, IA (US); **Peter J. Leach**,  
Davenport, IA (US); **Stephen H.**  
**McKelvain**, Geneseo, IL (US); **Charles**  
**David Williams**, Geneseo, IL (US)
- (73) Assignee: **Springfield, Inc.**, Geneseo, IL (US)
- (\* ) Notice: This patent is subject to a terminal disclaimer.
- (\*\*) Term: **15 Years**
- (21) Appl. No.: **29/865,614**
- (22) Filed: **Aug. 4, 2022**

6,658,781 B1 12/2003 Bowen  
 6,796,069 B2 9/2004 Hengstenberg  
 D567,895 S \* 4/2008 Cauley ..... D22/108  
 D639,891 S \* 6/2011 Chvala ..... D22/108  
 (Continued)

**FOREIGN PATENT DOCUMENTS**

CN 1039980 2/1990  
 CN 101469734 7/2009  
 (Continued)

**OTHER PUBLICATIONS**

“Mossberg Adds the New Patriot LR Tactical to the Bolt-Action Lineup” [online]. Luke C. [Published Jan. 12, 2023]. Retrieved from the Internet: <<https://www.thefirearmblog.com/blog/2023/01/12/mossberg-patriot-lr-tactical/>>.\*

(Continued)

*Primary Examiner* — Mojtaba Tehrani  
 (74) *Attorney, Agent, or Firm* — Woodard, Emhardt,  
 Henry, Reeves & Wagner, LLP

(57) **CLAIM**

The ornamental design for a rifle, as shown and described.

**DESCRIPTION**

FIG. 1 is a back-right perspective view of the rifle showing my new design;  
 FIG. 2 is a back-left perspective view thereof;  
 FIG. 3 is a lower, right-front perspective view thereof;  
 FIG. 4 is a top view thereof;  
 FIG. 5 is a bottom view thereof;  
 FIG. 6 is a right elevation view thereof;  
 FIG. 7 is a left elevation view thereof;  
 FIG. 8 is a back view thereof; and,  
 FIG. 9 is a front view thereof.  
 The broken lines illustrate portions of the rifle that form no part of the claimed design.

**1 Claim, 6 Drawing Sheets**

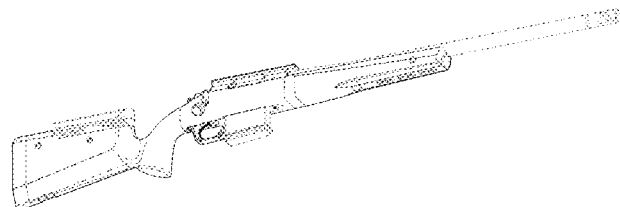
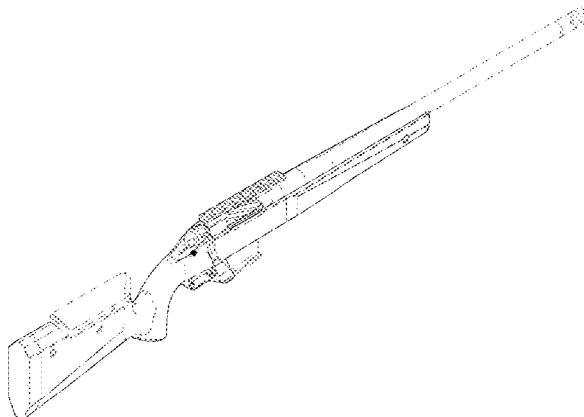
**Related U.S. Application Data**

- (63) Continuation of application No. 29/752,603, filed on Sep. 28, 2020, now Pat. No. Des. 963,099.
- (51) **LOC (14) Cl.** ..... **22-01**
- (52) **U.S. Cl.**  
USPC ..... **D22/103**
- (58) **Field of Classification Search**  
USPC ..... D22/100, 101, 103, 108, 111, 199;  
D21/573  
CPC ..... F41A 21/26; F41C 23/00; F41C 23/06;  
F41C 23/20; F41C 23/14  
See application file for complete search history.

**References Cited**

**U.S. PATENT DOCUMENTS**

2,062,079 A \* 11/1936 Wiles ..... F41C 23/00  
42/71.01  
5,194,678 A 3/1993 Kramer  
6,301,817 B1 10/2001 Hogue et al.  
6,647,653 B1 11/2003 Hengstenberg



(56)

References Cited

U.S. PATENT DOCUMENTS

D679,356 S \* 4/2013 Klotz ..... D22/103  
 D695,377 S \* 12/2013 Mayberry ..... D22/108  
 8,800,423 B1 8/2014 Lammers  
 D725,215 S \* 3/2015 Eberle ..... D22/108  
 D755,323 S \* 5/2016 Eitan ..... D22/103  
 D757,885 S 5/2016 Barfoot et al.  
 10,371,475 B2 8/2019 Cook et al.  
 D863,488 S \* 10/2019 Korth ..... D22/103  
 D868,190 S \* 11/2019 Laney ..... D21/573  
 D880,643 S \* 4/2020 Weiss ..... D22/108  
 D882,015 S 4/2020 Juarez  
 D921,813 S 7/2021 Kuz  
 D925,688 S \* 7/2021 Moretti ..... D22/103  
 D926,911 S 8/2021 McLeroy et al.  
 D926,912 S \* 8/2021 McLeroy ..... D22/108  
 D961,713 S \* 8/2022 Lynch ..... D22/108  
 D963,099 S \* 9/2022 Baumbach ..... D22/103  
 D973,170 S \* 12/2022 Martelli ..... D22/103  
 2003/0093935 A1 5/2003 Huston  
 2006/0207152 A1 9/2006 Lazor  
 2007/0163162 A1 7/2007 Laney et al.  
 2008/0244951 A1\* 10/2008 Picard ..... F41A 3/66  
 42/71.01  
 2009/0056191 A1 3/2009 Battaglia  
 2012/0023800 A1 2/2012 Laney  
 2015/0192384 A1\* 7/2015 Ballard ..... F41A 9/70  
 42/71.01  
 2015/0247700 A1 9/2015 Merlino et al.  
 2015/0285585 A1 10/2015 Hewes et al.  
 2015/0369558 A1 12/2015 Gottzmann  
 2016/0298925 A1 10/2016 Gottzmann et al.  
 2018/0058808 A1 3/2018 Gottzmann et al.  
 2018/0202760 A1 7/2018 Drake  
 2018/0259293 A1 9/2018 Fiester et al.  
 2019/0093984 A1 3/2019 Lundbäck et al.  
 2019/0285380 A1 9/2019 Washburn, III et al.  
 2022/0099406 A1\* 3/2022 Baumbach ..... F41C 23/16

FOREIGN PATENT DOCUMENTS

CN 103419556 12/2013  
 EP 0125735 A3 11/1984  
 KR 20070114377 9/2007  
 WO WO 2004020272 3/2004

OTHER PUBLICATIONS

“Woox Introduces Exactus Precision Rifle Stock” [online]. Matthew Moss. [Published Apr. 23, 2020]. Retrieved from the Internet: <<https://www.thefirearmblog.com/blog/2020/04/23/woox-introduces-exactus-precision-rifle-stock/>>.\*  
 “Springfield Armory’s Model 2020 Waypoint Is an Accurate New Hunting Rifle with Competition Features” [online]. John B. Snow. [Published on Apr. 20, 2021]. Retrieved from the Internet: <<https://www.outdoorlife.com/story/gear/the-springfield-armory-model-2020-waypoint-is-an-accurate-hunting-rifle/>>.\*  
 Accurize Your Ruger, Victor Company Titan Stock, Retrieved from Internet Oct. 27, 2020.  
 American Rifleman, Back-to-Basics Rifle Stocks, Retrieved from Internet Oct. 27, 2020.  
 English Translation of CN 103419556.  
 English Translation of CN 1039980.  
 English Translation of CN101469734.  
 English Translation of KR 20070114377.  
 Hardware Option for Your McMillan Stock, Retrieved from YouTube on Sep. 18, 2020, <https://www.youtube.com/watch?v=cTR4hO9Infq>.  
 McMillan USA, Clampbar Adjustable Cheek Piece. Retrieved Apr. 26, 2021 <https://mcmillanusa.com/product/mcmillan-clampbar-adjustable-cheek-piece/>.  
 Mens Interest Magazine, Synthetic Rifle Stocks. Retrieved Apr. 26, 2021. <https://www.magzter.com/article/Mens-Interest/Rifle/Synthetic-Rifle-Stocks>.

\* cited by examiner

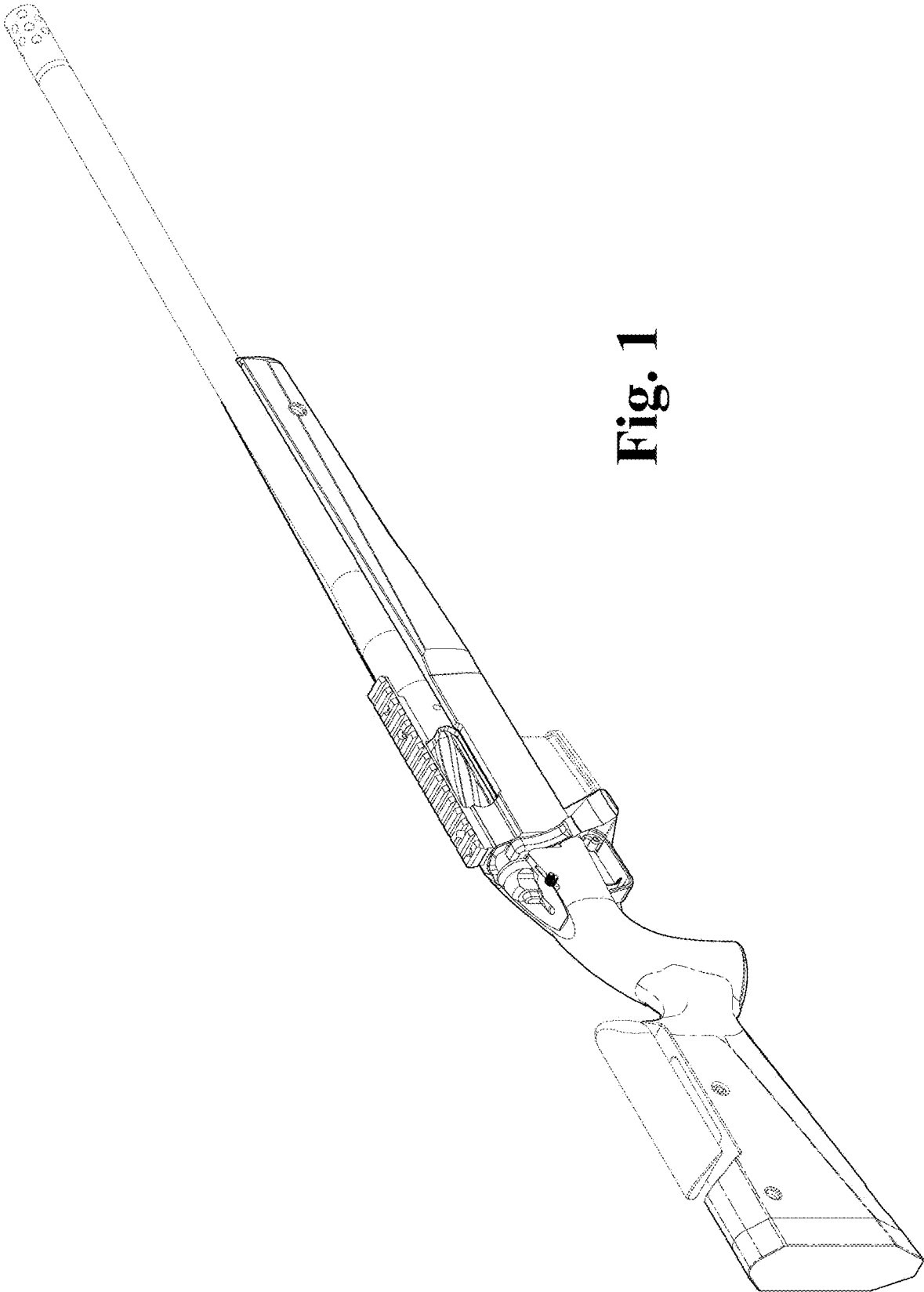
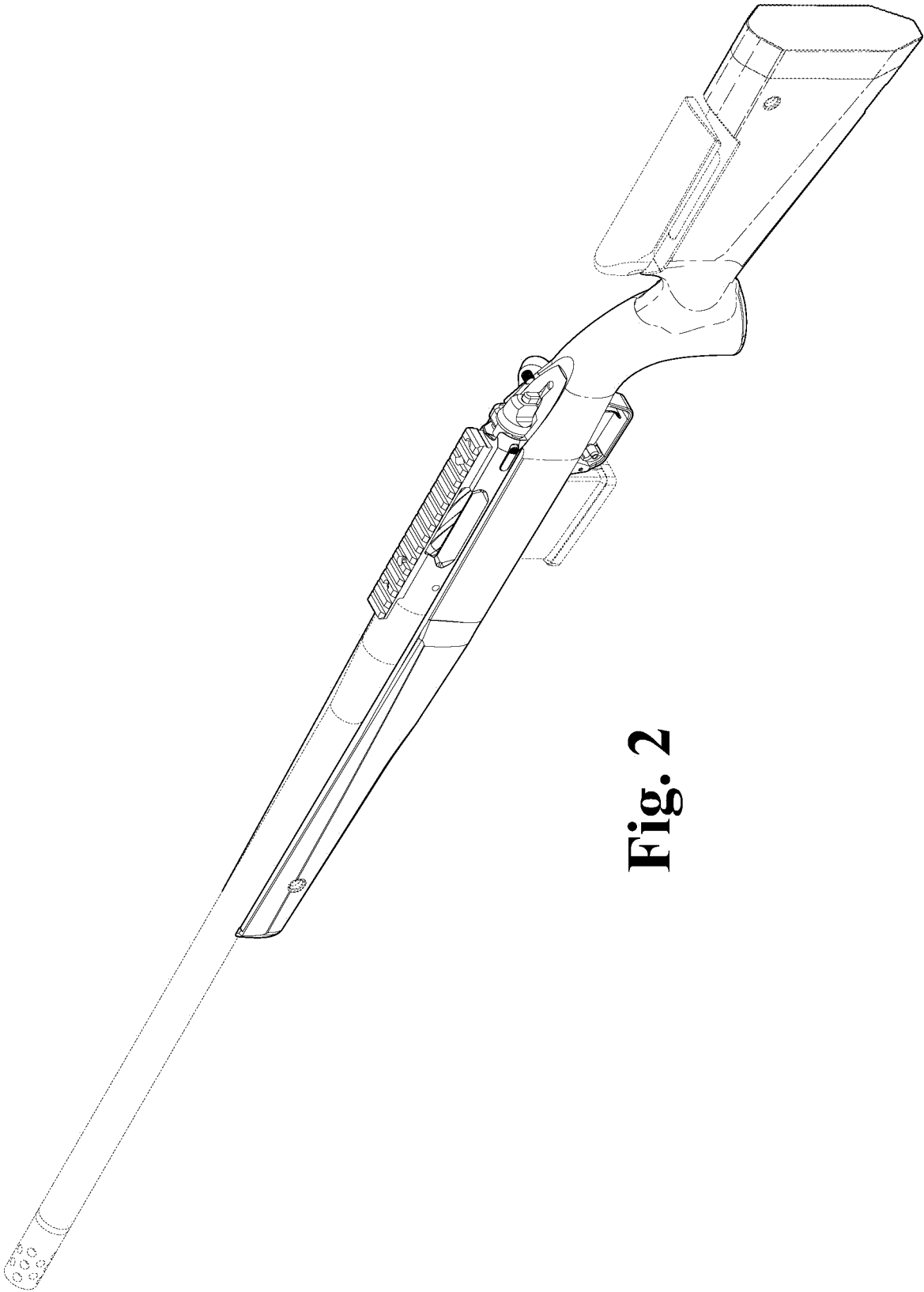


Fig. 1



**Fig. 2**

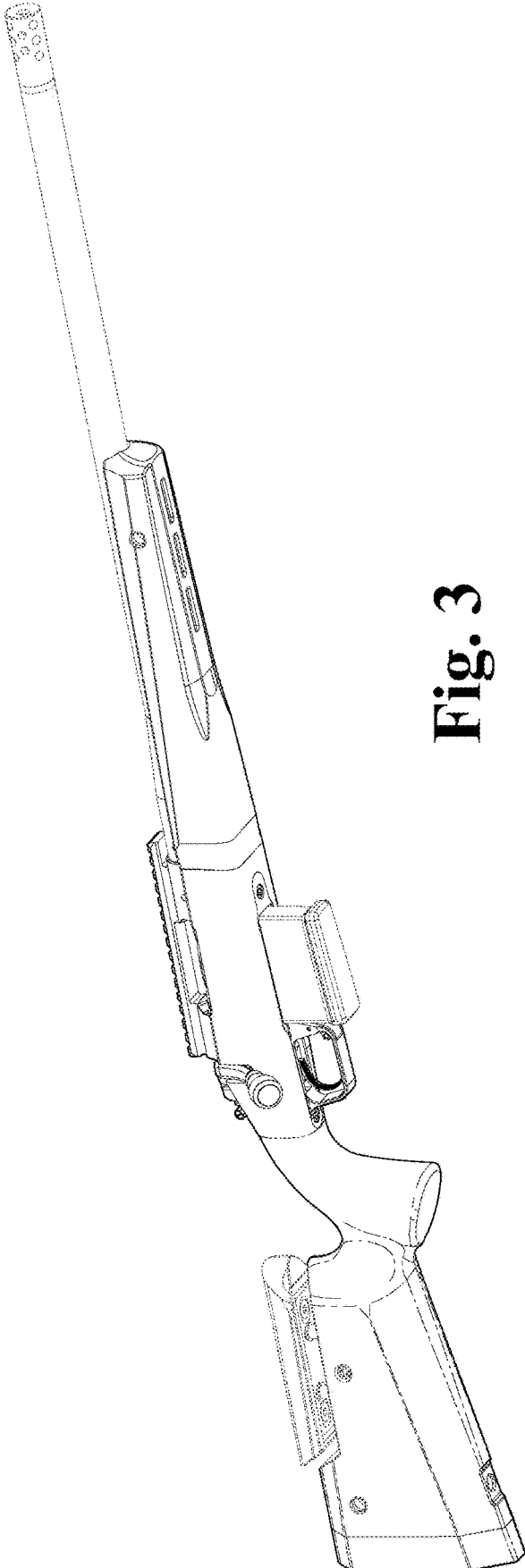


Fig. 3

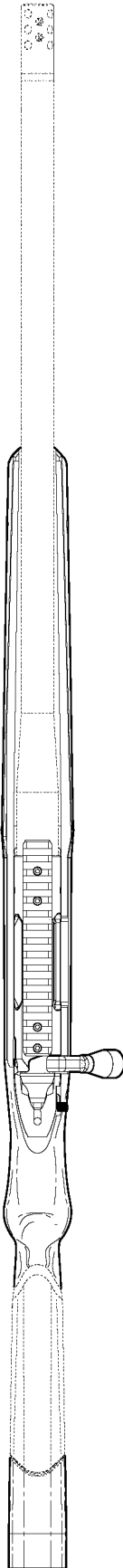


Fig. 4

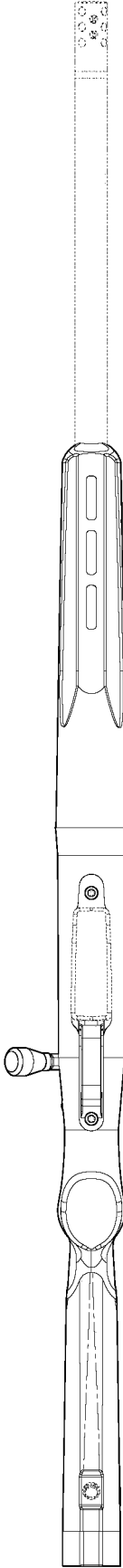


Fig. 5

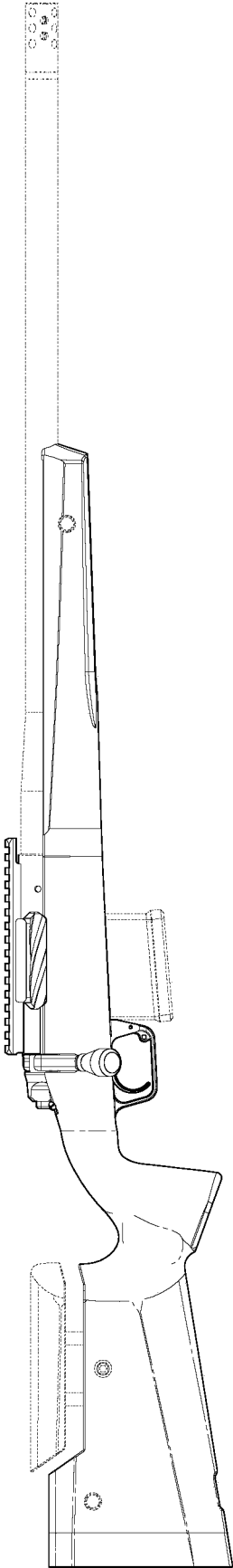


Fig. 6

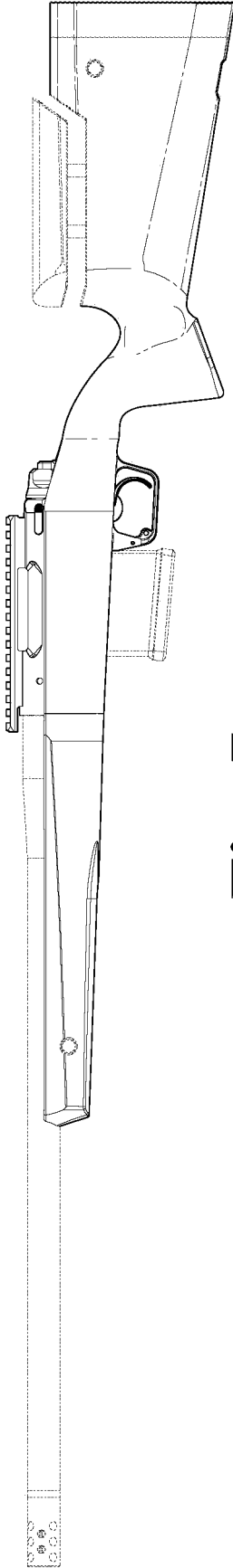
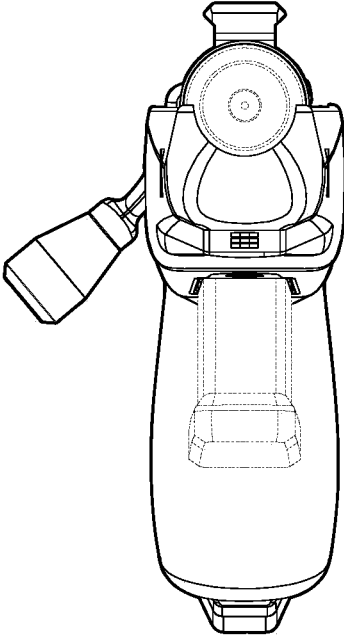


Fig. 7



**Fig. 8**



**Fig. 9**