



US0D1036609S

(12) **United States Design Patent**
Williams

(10) **Patent No.:** **US D1,036,609 S**

(45) **Date of Patent:** **** Jul. 23, 2024**

(54) **FREE FLOATING HANDGUARD ANCHORING SYSTEM**

2,779,119 A 1/1957 Fawcett
2,902,933 A 9/1959 Moldofsky et al.
2,951,424 A 9/1960 Stoner
3,075,314 A 1/1963 Bakker
3,198,076 A 8/1965 Stoner
(Continued)

(71) Applicant: **Springfield, Inc.**, Geneseo, IL (US)

(72) Inventor: **Charles David Williams**, Geneseo, IL (US)

(73) Assignee: **Springfield, Inc.**, Geneseo, IL (US)

(**) Term: **15 Years**

(21) Appl. No.: **29/787,652**

(22) Filed: **Jun. 8, 2021**

Related U.S. Application Data

(62) Division of application No. 29/606,940, filed on Jun. 8, 2017, now Pat. No. Des. 923,129.

(51) **LOC (14) Cl.** **22-01**

(52) **U.S. Cl.**
USPC **D22/108**

(58) **Field of Classification Search**
USPC D22/108; D21/572-576
CPC F41C 23/16; F41C 27/00
See application file for complete search history.

(56) **References Cited**

U.S. PATENT DOCUMENTS

282,194 A	7/1883	Howe
496,231 A	4/1893	Richard et al.
541,560 A	6/1895	Lyman
802,279 A	10/1905	Frommer
861,939 A	7/1907	Richards
1,065,341 A	6/1913	Browning
1,125,937 A	1/1915	Benet et al.
1,143,170 A	6/1915	Browning
1,150,756 A	8/1915	Gocke
1,266,087 A	5/1918	Williams
1,474,209 A	11/1923	Reynolds
1,517,328 A	12/1924	Weiss
2,364,487 A	12/1944	Swartz

FOREIGN PATENT DOCUMENTS

CA 2612519 A1 12/2006
CA 2616472 A1 2/2007
(Continued)

OTHER PUBLICATIONS

US 8,561,336 B2, 10/2013, Gomez (withdrawn)
(Continued)

Primary Examiner — Michael A. Pratt
(74) *Attorney, Agent, or Firm* — Woodard, Emhardt, Henry, Reeves & Wagner, LLP

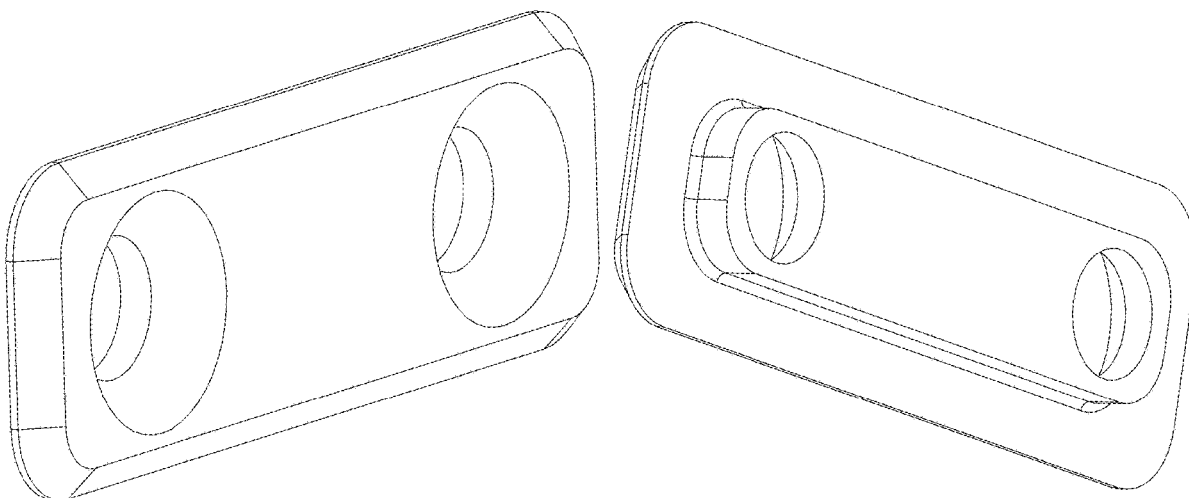
(57) **CLAIM**

The ornamental design for a free floating handguard anchoring system, as shown and described.

DESCRIPTION

FIG. 1 is a perspective view of an anchor plate of my new design;
FIG. 2 is a perspective view thereof;
FIG. 3 is a right side view thereof;
FIG. 4 is a left side view thereof;
FIG. 5 is a bottom view thereof;
FIG. 6 is a top view thereof;
FIG. 7 is a front end view thereof; and,
FIG. 8 is a rear end view thereof.
The broken lines illustrate portions of the free floating handguard anchoring system and form no part of the claimed design.

1 Claim, 3 Drawing Sheets



(56)

References Cited

U.S. PATENT DOCUMENTS

3,543,429	A	12/1970	Bendele et al.	8,051,595	B2	11/2011	Hochstrate et al.
3,721,031	A	3/1973	Falterman et al.	8,069,604	B2	12/2011	Larue
3,793,922	A	2/1974	Angell et al.	8,087,194	B1	1/2012	Vuksanovich
4,090,305	A	5/1978	Cassidy	8,141,285	B2	3/2012	Brown
4,304,061	A	12/1981	Brouthers	8,141,287	B2	3/2012	Dubois
4,742,636	A	5/1988	Swan	8,141,289	B2	3/2012	Gomez et al.
4,765,224	A	8/1988	Morris	8,201,353	B1	6/2012	Swan
D300,161	S	3/1989	Baldus et al.	8,205,373	B1	6/2012	Ubl et al.
4,841,657	A	6/1989	Mossberg	8,230,633	B1	7/2012	Sisk
4,845,871	A	7/1989	Swan	8,230,634	B1	7/2012	Davies et al.
5,142,806	A	9/1992	Swan	8,234,809	B2	8/2012	Daniel
5,198,600	A	3/1993	E>Nama	8,240,074	B2	8/2012	Vuksanovich
5,225,615	A	7/1993	Talbot et al.	8,276,303	B2	10/2012	Kapusta et al.
5,276,988	A	1/1994	Swan	8,276,304	B2	10/2012	Samson et al.
5,343,650	A	9/1994	Swan	8,307,751	B2	11/2012	Adolphsen
5,412,895	A	5/1995	Krieger	8,316,574	B1	11/2012	Swan
5,533,292	A	7/1996	Swan	8,336,243	B2	12/2012	Langevin et al.
RE35,381	E	11/1996	Rose	8,347,540	B2	1/2013	Sirois
5,590,484	A	1/1997	Mooney	8,359,779	B2	1/2013	Daniel et al.
5,595,602	A	1/1997	Harlan	8,397,416	B2	3/2013	Laney et al.
5,661,255	A	8/1997	Webb, III	8,429,845	B1	4/2013	Swan
5,729,927	A	3/1998	Shaver, Jr.	8,448,367	B2	5/2013	Samson et al.
5,740,626	A	4/1998	Schuetz et al.	8,453,364	B2	6/2013	Kucynko
5,826,363	A	10/1998	Olson	8,464,457	B2	6/2013	Troy et al.
6,044,748	A	4/2000	Westrom	8,468,929	B2	6/2013	Larson et al.
6,293,040	B1	9/2001	Luth	8,528,246	B2	9/2013	Telles
6,295,751	B1	10/2001	Piwonski	8,561,335	B2	10/2013	Brown
6,321,477	B1	11/2001	Watson, Jr.	8,578,642	B2	11/2013	Troy et al.
6,345,464	B1	2/2002	Kim et al.	8,595,970	B2	12/2013	Picciotta et al.
6,418,655	B1	7/2002	Kay	8,601,734	B1	12/2013	Hopkins et al.
6,490,822	B1	12/2002	Swan	8,607,490	B1	12/2013	Zinsner
6,499,245	B1	12/2002	Swar	8,640,372	B2	2/2014	Hochstrate et al.
6,508,027	B1	1/2003	Kim	8,667,882	B1	3/2014	Larson et al.
6,606,812	B1	8/2003	Gwinn, Jr.	8,667,883	B1	3/2014	Larson et al.
6,618,976	B1	9/2003	Swan	8,689,477	B2	4/2014	Gomez et al.
6,634,128	B1	10/2003	Vastag	8,689,478	B2	4/2014	Patel
6,671,990	B1	1/2004	Booth	8,707,850	B1	4/2014	Davies
6,694,660	B1	2/2004	Davies	8,713,838	B2	5/2014	Ubl et al.
6,769,209	B2	8/2004	Mendoza-Orozco	8,726,557	B2	5/2014	Stone et al.
6,848,351	B1	2/2005	Davies	8,726,558	B1	5/2014	Nason
6,854,206	B2	2/2005	Oz	8,726,559	B1	5/2014	Mueller
6,860,053	B2	3/2005	Christiansen	8,739,448	B2	6/2014	Kimmel et al.
6,895,708	B2	5/2005	Kim et al.	8,739,449	B2	6/2014	Patel
6,959,509	B2	11/2005	Vais	8,769,853	B1	7/2014	LaRue
7,059,076	B2	6/2006	Stoner et al.	8,776,420	B2	7/2014	Langevin et al.
RE39,465	E	1/2007	Swan	8,782,943	B2	7/2014	Jarboe
7,204,052	B2	4/2007	Swan	8,783,160	B2	7/2014	Hochstrate et al.
7,216,451	B1	5/2007	Troy	8,806,792	B2	8/2014	Yan et al.
RE40,216	E	4/2008	Swan	8,806,793	B2	8/2014	Daniel et al.
7,356,962	B2	4/2008	Swan	8,819,980	B2	9/2014	Geissele
7,363,741	B2	4/2008	DeSomma et al.	8,839,545	B1	9/2014	Gangl et al.
7,458,179	B2	12/2008	Swan	8,844,186	B2	9/2014	LeClair
7,464,496	B1	12/2008	Davies et al.	RE45,185	E	10/2014	Davies
7,493,721	B2	2/2009	Swan	8,863,426	B1	10/2014	Zinsner
7,523,580	B1	4/2009	Tankersley	8,904,691	B1	12/2014	Kincel
7,584,567	B1	9/2009	DeSomma et al.	8,919,025	B2	12/2014	Kuczynko
7,640,689	B2	1/2010	Fluhr	8,931,196	B1	1/2015	LaRue
7,676,975	B2	3/2010	Phillips et al.	D723,130	S *	2/2015	Barrett D22/108
7,707,762	B1	5/2010	Swan	8,985,007	B2	3/2015	Larson et al.
7,716,865	B2	5/2010	Daniel et al.	8,991,092	B2	3/2015	Shipman et al.
7,757,422	B1	7/2010	Swan	9,003,686	B2	4/2015	Brown
7,757,423	B1	7/2010	Swan	9,010,009	B2	4/2015	Buxton
7,770,317	B1	8/2010	Tankersley	9,032,659	B1	5/2015	Duneman
7,775,150	B2	8/2010	Hochstrate et al.	D734,828	S *	7/2015	Geissele D22/108
7,793,452	B1	9/2010	Samson et al.	9,140,506	B2	9/2015	Gomez
7,827,722	B1	11/2010	Davies	9,140,520	B2	9/2015	Lopes et al.
7,905,041	B1	3/2011	Davies	9,157,697	B2	10/2015	Leclair
D637,684	S	5/2011	Kimmel et al.	9,200,867	B1	12/2015	Swan
7,941,959	B1	5/2011	Swan	9,212,865	B2	12/2015	Dubreuil
7,963,203	B1	6/2011	Davies	9,228,799	B2	1/2016	Kuczynko
8,028,456	B2	10/2011	Peterson	9,234,717	B2	1/2016	Jarboe
8,028,460	B2	10/2011	Williams	9,279,632	B2	3/2016	Hochstrate et al.
8,037,633	B1	10/2011	Troy	9,279,638	B2	3/2016	Adair et al.
8,037,806	B2	10/2011	Davies	9,279,639	B2	3/2016	Hines
8,046,949	B1	11/2011	Daniel	9,297,609	B2	3/2016	Burt
				9,303,949	B1	4/2016	Oglesby
				9,322,609	B2	4/2016	Davies
				9,335,117	B2	5/2016	Miller et al.
				9,389,043	B1	7/2016	Zhang

(56)

References Cited

U.S. PATENT DOCUMENTS

9,453,694 B1 9/2016 Storch
 9,464,864 B2 10/2016 Merlino et al.
 9,464,865 B2 10/2016 Shea et al.
 9,476,672 B2 10/2016 Wells et al.
 D773,587 S * 12/2016 Underwood D22/108
 9,557,137 B2 1/2017 Dzwili
 D789,480 S * 6/2017 Olsen D22/108
 9,964,380 B1 * 5/2018 Oglesby F41C 27/00
 D847,934 S * 5/2019 Hiler, Jr. D22/108
 10,345,074 B1 * 7/2019 Zamlinskiy F41C 23/16
 10,532,447 B2 * 1/2020 Hamby F41A 21/48
 D890,876 S * 7/2020 McLeroy D22/108
 11,002,509 B2 * 5/2021 Mayberry F41G 11/001
 2002/0116857 A1 8/2002 Wonisch et al.
 2006/0162217 A1 7/2006 Longueira
 2006/0260169 A1 11/2006 Samson et al.
 2007/0017139 A1 1/2007 Larue
 2007/0033851 A1 2/2007 Hochstrate et al.
 2007/0199435 A1 8/2007 Hochstrate et al.
 2007/0261285 A1 11/2007 Troy
 2008/0092422 A1 4/2008 Daniel et al.
 2009/0013579 A1 1/2009 Fluhr
 2009/0044439 A1 2/2009 Phillips et al.
 2010/0095575 A1 4/2010 Swan
 2010/0126054 A1 5/2010 Daniel et al.
 2010/0175293 A1 7/2010 Hines
 2010/0212201 A1 8/2010 Kincel et al.
 2010/0269392 A1 10/2010 Swan
 2010/0282066 A1 11/2010 Tankersley
 2010/0287809 A1 11/2010 Williams
 2010/0300277 A1 12/2010 Hochstrate et al.
 2010/0319231 A1 12/2010 Stone et al.
 2011/0000119 A1 1/2011 Desomma et al.
 2011/0016762 A1 1/2011 Davies
 2011/0061281 A1 3/2011 Kapusta et al.
 2011/0099869 A1 5/2011 Bentley
 2011/0119981 A1 5/2011 LaRue
 2011/0126443 A1 6/2011 Sirois
 2011/0167701 A1 7/2011 Williams
 2011/0192066 A1 8/2011 Kimmel et al.
 2011/0214327 A1 9/2011 Desomma
 2011/0239513 A1 10/2011 Sandman
 2011/0247254 A1 10/2011 Barnes
 2011/0252625 A1 10/2011 Daniel
 2011/0303082 A1 12/2011 Hochstrate et al.
 2012/0005936 A1 1/2012 Daniel
 2012/0036756 A1 2/2012 Brown
 2012/0042557 A1 2/2012 Gomez et al.
 2012/0073177 A1 3/2012 Laney et al.
 2012/0096755 A1 4/2012 Griffin
 2012/0117845 A1 5/2012 Desomma
 2012/0124880 A1 5/2012 Leclair
 2012/0131834 A1 5/2012 Barrett et al.
 2012/0131835 A1 5/2012 Barrett et al.
 2012/0132068 A1 5/2012 Kucynko
 2012/0137563 A1 6/2012 Ubl et al.
 2012/0180358 A1 7/2012 Samson et al.
 2012/0186123 A1 7/2012 Troy et al.
 2012/0216439 A1 8/2012 Barrett et al.
 2012/0285317 A1 11/2012 Davies
 2012/0291329 A1 11/2012 Ubl et al.
 2012/0317859 A1 12/2012 Brown
 2012/0324775 A1 12/2012 Troy et al.
 2013/0019513 A1 1/2013 Telles
 2013/0047832 A1 2/2013 Hochstrate et al.
 2013/0055613 A1 3/2013 Gomez et al.
 2013/0097910 A1 4/2013 Daniel et al.
 2013/0180151 A1 7/2013 Moore
 2013/0185895 A1 * 7/2013 Daniel F41C 27/00
 16/2.1
 2013/0205637 A1 8/2013 Patel
 2013/0227869 A1 * 9/2013 Thordsen F41A 17/38
 42/6
 2013/0263732 A1 10/2013 Kucynko
 2014/0000142 A1 1/2014 Patel

2014/0026459 A1 1/2014 Yan et al.
 2014/0033588 A1 2/2014 Laney et al.
 2014/0033590 A1 2/2014 Gomez
 2014/0068987 A1 3/2014 Burt
 2014/0075817 A1 3/2014 Gomez
 2014/0076146 A1 * 3/2014 Gomez F41C 23/16
 89/191.01
 2014/0076147 A1 3/2014 Larue
 2014/0076148 A1 3/2014 Larue
 2014/0076152 A1 3/2014 Hochstrate et al.
 2014/0115938 A1 5/2014 Jarboe
 2014/0130390 A1 5/2014 Giessele
 2014/0144059 A1 5/2014 Giessele
 2014/0345179 A1 11/2014 Adair et al.
 2014/0373419 A1 12/2014 Leclair
 2015/0007477 A1 1/2015 Langevin et al.
 2015/0007478 A1 1/2015 Barrett et al.
 2015/0007712 A1 1/2015 Larson et al.
 2015/0020427 A1 * 1/2015 Compton H02J 50/80
 42/71.01
 2015/0135572 A1 5/2015 Davies
 2015/0135576 A1 5/2015 Wells et al.
 2015/0143730 A1 5/2015 Laney et al.
 2015/0168092 A1 6/2015 Stone
 2015/0168095 A1 6/2015 Dubreuil
 2015/0168096 A1 6/2015 Miller et al.
 2015/0241166 A1 8/2015 Hines
 2015/0247695 A1 9/2015 Jarboe
 2015/0247699 A1 9/2015 Davies
 2015/0247700 A1 9/2015 Merlino et al.
 2015/0285584 A1 * 10/2015 Mayberry F41G 11/004
 42/71.01
 2015/0316347 A1 11/2015 Shea et al.
 2015/0369555 A1 12/2015 Daniel et al.
 2016/0010946 A1 1/2016 Gibbens et al.
 2016/0033225 A1 2/2016 Selvetti
 2016/0054096 A1 2/2016 Dzwili
 2016/0084596 A1 3/2016 Gomez
 2016/0091276 A1 3/2016 Miller et al.
 2016/0131447 A1 5/2016 Hochstrate et al.
 2016/0153744 A1 6/2016 Teetzel et al.
 2016/0169617 A1 6/2016 Daley, Jr.
 2016/0178316 A1 6/2016 Miller et al.
 2016/0195360 A1 7/2016 Davies
 2016/0209166 A1 7/2016 Larson, Jr. et al.
 2016/0223286 A1 * 8/2016 Storch F41G 11/001
 2016/0282069 A1 9/2016 Storch
 2016/0282083 A1 9/2016 Storch
 2016/0290761 A1 10/2016 Cook, Jr. et al.
 2018/0112952 A1 * 4/2018 Kincel F41C 23/16
 2018/0180370 A1 * 6/2018 Zheng F41A 5/20
 2018/0306551 A1 * 10/2018 Reid F41A 3/66
 2018/0356181 A1 * 12/2018 Williams F41G 11/003
 2020/0240737 A1 * 7/2020 Wheeler F41A 21/38
 2023/0110575 A1 * 4/2023 Cinco F16G 11/10
 42/90
 2023/0324141 A1 * 10/2023 Mansfield F41C 27/00
 42/90

FOREIGN PATENT DOCUMENTS

CA 2625261 A1 5/2007
 CA 2765149 A1 12/2010
 CA 2889273 A1 5/2014
 CA 2877197 A1 7/2015
 CZ 303 588 B6 12/2012
 DE 10 2010 023 466 A1 12/2011
 DE 10 2013 008 241 A1 11/2014
 DE 10 2013 208 770 A1 11/2014
 EP 1 998 134 A2 12/2008
 EP 1 949 014 B1 1/2010
 EP 2 141 441 A2 1/2010
 EP 2 191 224 A2 6/2010
 EP 2 634 522 A1 9/2013
 EP 2 446 214 B1 1/2014
 EP 2 894 431 A1 7/2015
 EP 2 896 927 A1 7/2015
 GB 891448 3/1962

(56)

References Cited

FOREIGN PATENT DOCUMENTS

KR	10-2008-0034451	4/2008
KR	10-2008-0034454	4/2008
KR	10-2008-0036988	4/2008
KR	10-2008-0067345	7/2008
KR	10-2013-0076902	7/2013
KR	10-1358970	2/2014
KR	10-201400-56391	5/2014
KR	1564570	10/2015
WO	WO 2005/047801 A3	5/2005
WO	WO 2006/103062 A1	10/2006
WO	WO 2006/138106 A3	12/2006
WO	WO 2008/060310 A3	5/2008
WO	WO 2008/103193 A3	8/2008
WO	WO 2009/082520 A3	7/2009
WO	WO 2009/131721 A3	10/2009
WO	WO 2010/151552 A1	12/2010
WO	WO 2013/010515 A1	1/2013
WO	WO 2014/031593 A3	2/2014
WO	WO 2014/066759 A1	5/2014
WO	WO 2016/028908 A1	2/2016
WO	WO 2016/089863 A3	6/2016

OTHER PUBLICATIONS

Abstract, Bibliographic Data for US 2010/319231 corresponding to EP2446214.
 Abstract, Bibliographic Data for WO 2009/082520 corresponding to EP2191224.
 Abstract, Bibliographic Data for WO2006/103062.
 Abstract, Bibliographic Data for WO2006/138106 corresponding to KR20130076902.
 Aero Precision, MrE1 Handguard Barrel Nut and AR15 BAR Barrel Nut, <https://aeroprecisionusa.com/catalogsearch/result/?q=M5E1+Handguard+Barrel+Nut>.
 Daniel Defense Bolt-Up Plate, <https://danieldefense.com/catalogsearch/result/?q=bolt-up+plate>.

English Abstract of CZ303588 obtained from Lexis-Nexis Total Patent on Jul. 11, 2018.
 English Abstract of DE 10 2013 008 241 A1. Translation obtained from Lexis-Nexis Total Patent on Jun. 27, 2017.
 English Abstract of DE 10 2013 208 770 A1. Translation obtained from Lexis-Nexis Total Patent on Jun. 27, 2017.
 English Abstract of DE 2010 2010 023 466 A1. Translation obtained from Lexis-Nexis Total Patent on Jun. 27, 2017.
 English Abstract of KR 10-2008-0034451 obtained from Lexis-Nexis Total Patent on Jun. 27, 2017.
 English Abstract of KR 10-2008-0034454 obtained from Lexis-Nexis Total Patent on Jul. 11, 2018.
 English Abstract of KR 10-2008-0036988 obtained from Lexis-Nexis Total Patent on Jul. 11, 2018.
 English Abstract of KR 10-2008-0067345. Translation obtained from Lexis-Nexis Total Patent on Jun. 27, 2017.
 English Abstract of KR 10-2013-0076902 obtained from Lexis-Nexis Total Patent on Jan. 8, 2019.
 English Abstract of WO2006/138106 A2 and KR10-1358970 (B1). Translation obtained from Lexis-Nexis total Patent on Sep. 27, 2017.
 English Abstract of WO2006138106 A2 and KR10-1564570 (B1). Translation obtained from Lexis-Nexis Total Patent on Jun. 27, 2017.
 English Translation of Abstract for DE102005054917.
 Noveske NSR Barrel Nut, Noveske Rifleworks, L.L.C., <https://www.noveske.com/search?type=product&q=NSR>.
 Parallax Tactical, FFSSR Rail System, <https://parallaxtactical.com/search?q=FFSSR>.
 Seekins Precision Rail Mountain System in which a rail is attached using screws, <http://www.seekinsprecision.com/parts-and-accessories/handguards.html>.
 Wilson Combat, Tactical Rail Interface (T.R.I.M.), <http://shopwilsoncombat.com/TRIM-Tactical-Rail-Interface-Modular-126/productinfo/TR-TRIM-12/>.

* cited by examiner

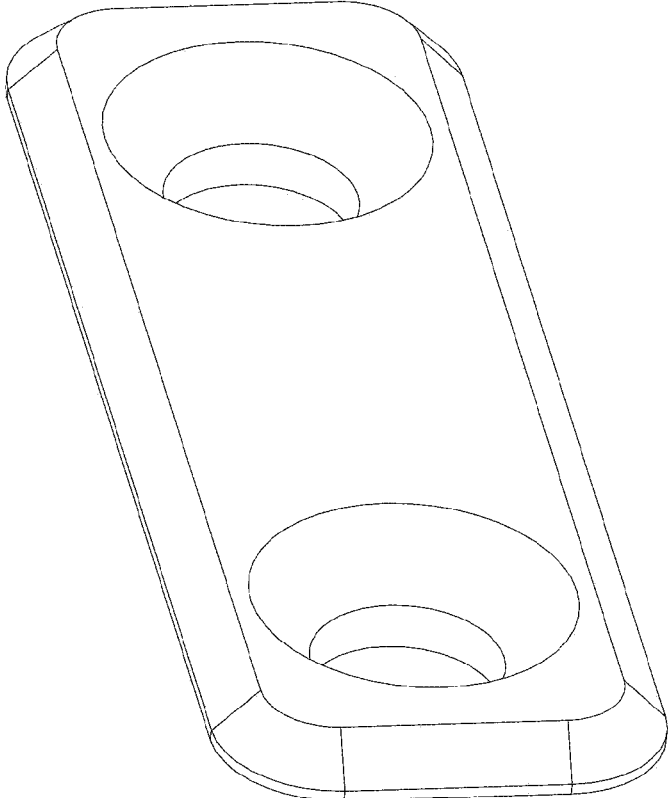


Fig. 1

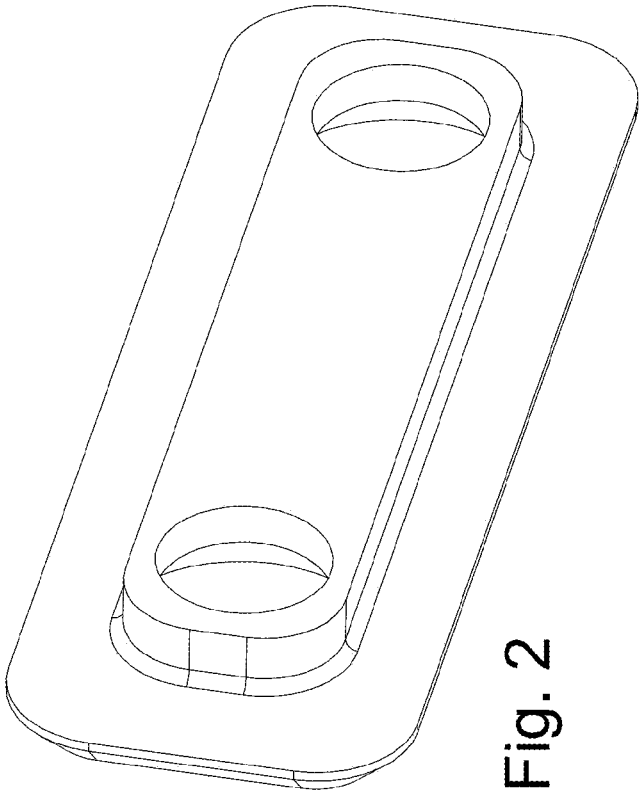


Fig. 2

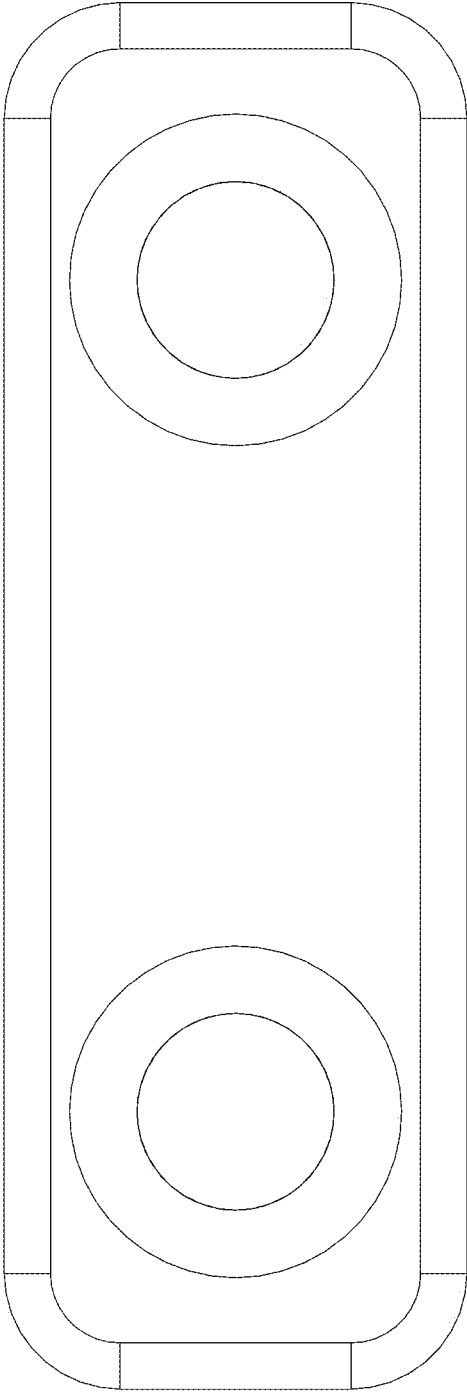


Fig. 3

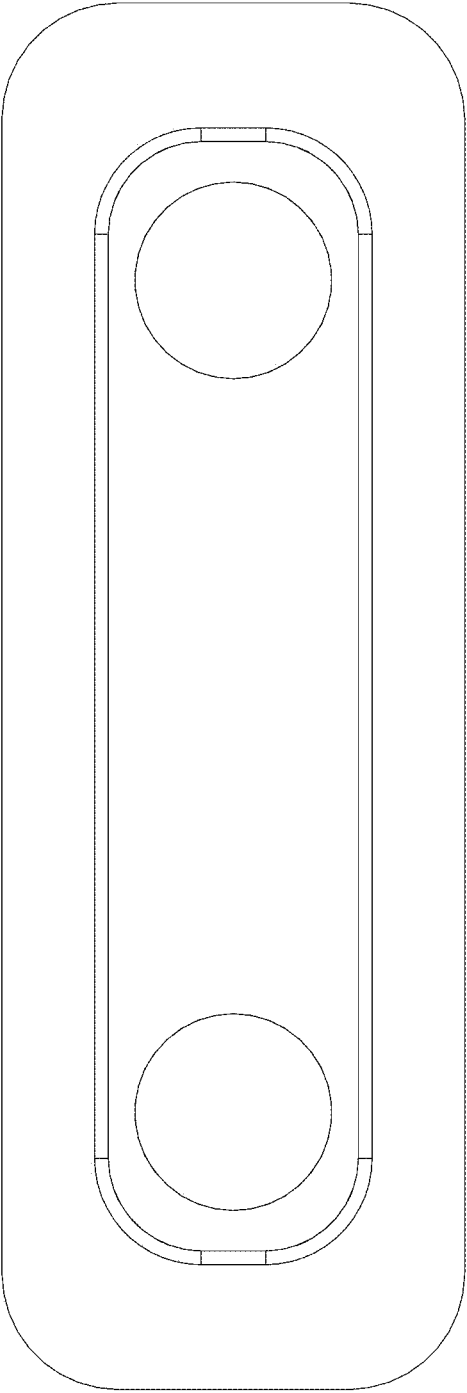


Fig. 4

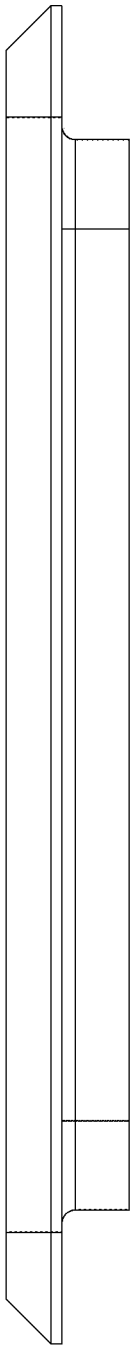


Fig. 5

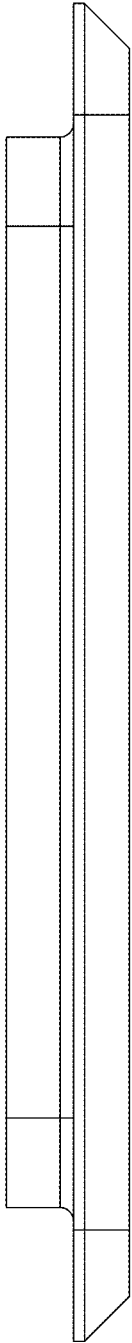


Fig. 6

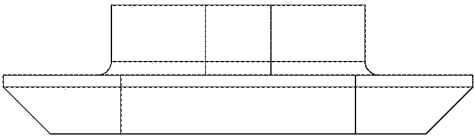


Fig. 7

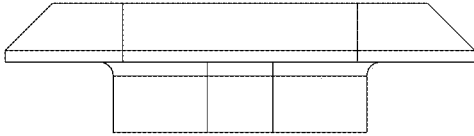


Fig. 8